



Wireless Transmitter and Receiver Pairing Instructions

ERGOMAT Wireless Transmitters are paired at the factory before shipping. Since they are already paired, **it is important not to press the Program button on the receiver.** If the Program button is pushed by accident, or if you ever add components to your system, the following procedure is used to pair the transmitter(s) and receiver(s) again.



Plug in power to receiver. If multiple receivers are to be paired with a single transmitter they must all be powered on. Each sign that is to be paired with a single Motion Sensor/Transmitter will have a dedicated receiver.



Do **NOT** plug in power to transmitter(s) yet.



Press and hold Program button for 2 seconds.



When button is released, the Program button will be lit.



Immediately plug power supply into Transmitter. Power supply must be plugged into Transmitter while the Program button remains lit (approximately 5 seconds).*



In order to confirm that the Motion Sensor(s) and Receiver are correctly paired cover the Motion Sensor Eye for 60 seconds. Remove the cover from the Motion Sensor and the sign will blink as programmed when motion is detected.



Programming is complete.

*One or more Transmitters can be paired simultaneously with a single receiver as long as all the Transmitters are powered within 5 seconds of pressing the Program button on the receiver.

Timer Adjustment Table



Timer Position	Time On (in seconds)	Timer Position	Time On (in seconds)
0	3	8	35
1	7	9	39
2	11	A	43
3	15	B	47
4	19	C	51
5	23	D	55
6	27	E	59
7	31	F	63



www.ergomat.com - info@ergomat.com
 US: +1-440-282-4651
 English (EU): +44 03308 280 084
 Scandinavia: +45 70 22 18 40
 German: +49 9524 30367-50
 French: +33 1 446 410 28
 Dutch: +31 73 613 05 30

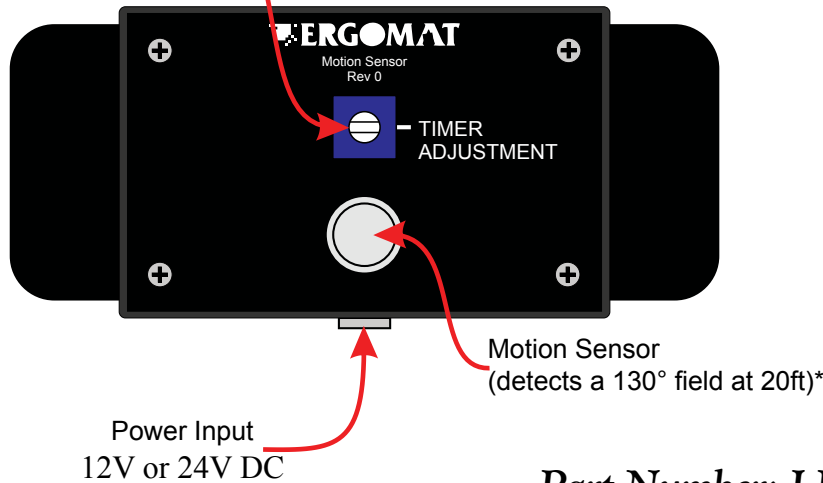




Wireless Transmitter and Receiver Specifications

Timer Adjustment Dial
(Refer to chart below)

Part Number: LED-WL-TRANSMITTER

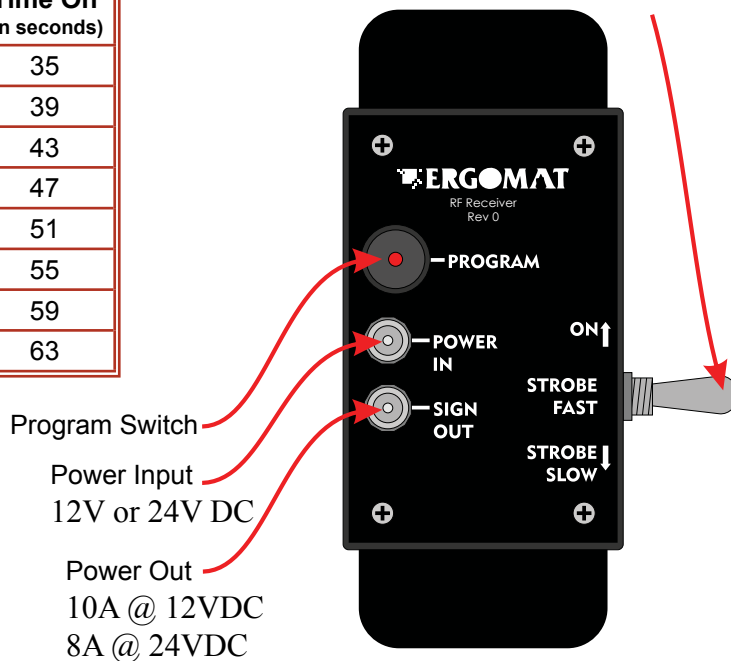


Timer Adjustment Table

Timer Position	Time On (in seconds)	Timer Position	Time On (in seconds)
0	3	8	35
1	7	9	39
2	11	A	43
3	15	B	47
4	19	C	51
5	23	D	55
6	27	E	59
7	31	F	63

Part Number: LED-WL-RECEIVER

Strobe Adjustment
 On - Power Out is Constant
 Strobe Fast - Power Out flashes at 5Hz rate
 Strobe Slow - Power Out flashes at 1.5Hz rate



*Motion sensors used in warning signs function by detecting temperature differential moving through the sensing field. In circumstances where the temperature of something moving through the field is similar to ambient temperature, motion may not be accurately detected. Care should be taken to consider the possibility of this effect when used in an ambient temperature between 90° and 105°F.



www.ergomat.com - info@ergomat.com
 US: +1-440-282-4651
 English (EU): +44 03308 280 084
 Scandinavia: +45 70 22 18 40
 German: +49 9524 30367-50
 French: +33 1 446 410 28
 Dutch: +31 73 613 05 30

